

DESIGNATION	GROUP CONTROL - 3 MOTORS (RK3)
REFERENCE	028296
RANGE	BOX LINE

FUNCTIONS

Relay box that allows group control of up to three motors through one fixed position switch or several momentary position switches.

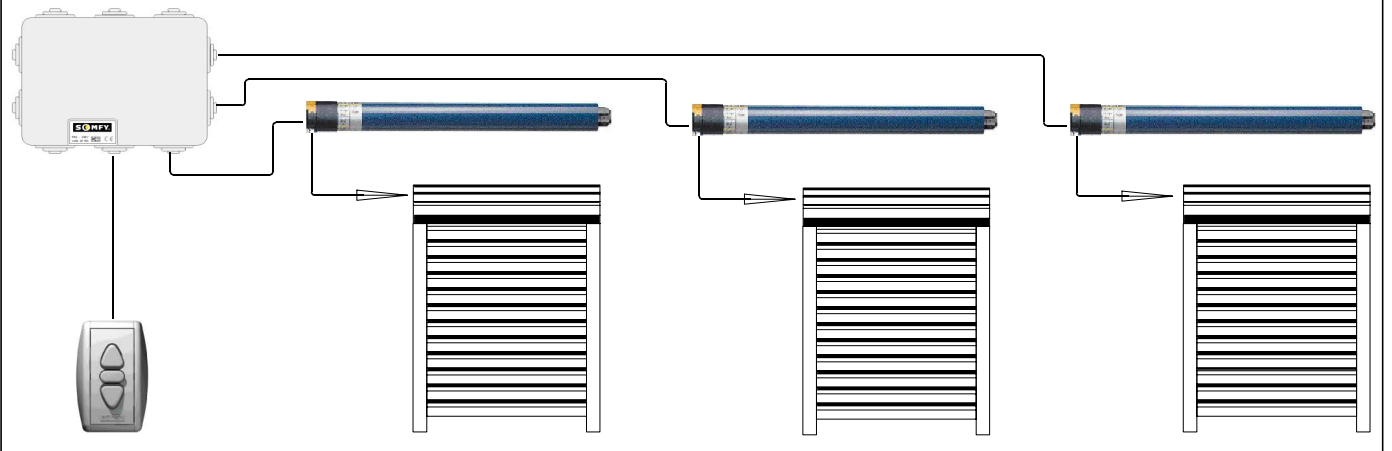
Group and individual motor control available provided that the individual switch connections are momentary position.

Several control boxes can be connected in parallel in order to control more than three motors.

TECHNICAL SPECIFICATION

Box	Material	ABS
	Colour	Grey
	Dimensions	154 x 193 x 85 mm
	Protection factor against solid & splashproof	IP55
Supply	Nominal	220 – 240 V~
	Limits	198 – 255 V~
	Frequency	50 Hz
Fuse	Three fuses	3.15 A – 240 V~
Temperature range	Working	- 10 °C to 40 °C
	Storing	- 10 °C to 40 °C
Connectors		Plastic screw
Output relays		240 V~ 12A
Weight		745g
CE marking		Yes

PRINCIPLE



COMPATIBILITIES

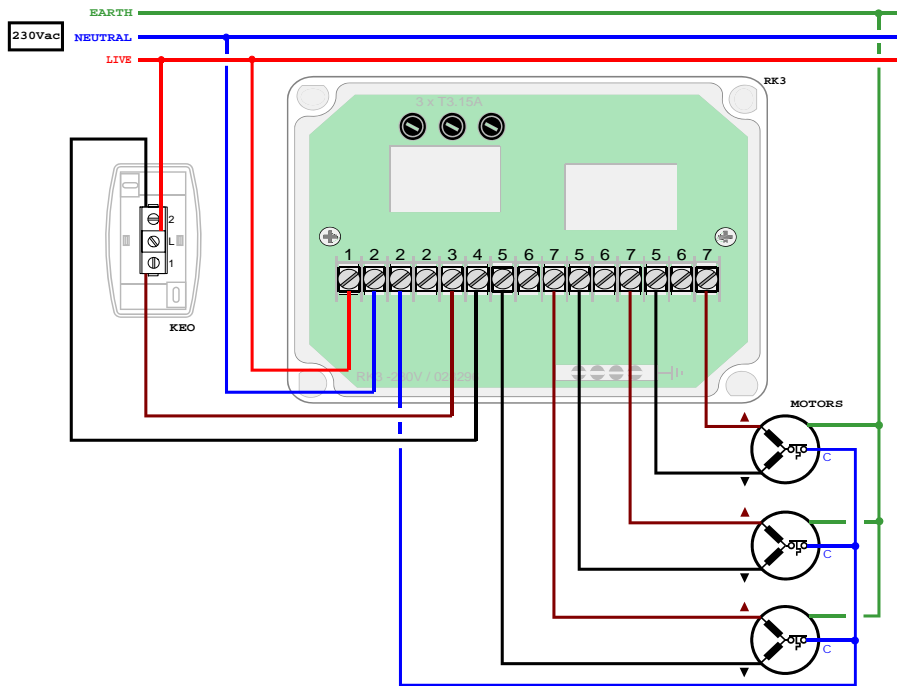
INPUT

Fixed or momentary position switch

OUTPUT

240V~ motor

WIRING DIAGRAM



Motor Cable Identification			
Direction 1	- Brown	Neutral	- Blue
Direction 2	- Black	Earth	- Yellow/green