

SOMFY®	21/08/00	ALTUS 60 RTS TECHNICAL DATA	DMKI - FPTE RANGE 1 ALTUS60RTSRange1RO
---------------	----------	------------------------------------	--

Nominal voltage	230 V - 50Hz
Power supply tolerances	207 - 244 v
Thermal time	4 minutes for all motors
Number of wires of the cable	3
Wire section	0,75 mm ²
Type of limit switch unit	Electronic
Capacity of the LSU	200
Repeatability	<- 3;
System of protection	IP 44
Interface drawing	Wheel interface LT60 206801-Crown interface LT60, LT60ADF, FTS60 & LT60CSI 206802-Interface drawing star head LT60 206803
Radio frequency	433,42 MHz
Capacity of memory	12 different codes plus 3 wireless sensors
Antenna	Wire 11 cm going out of the head (must not be cut or lengthened)
Range	20 m with 2 reinforced concrete walls to be passed through
Service stress	Antenna out of the rolling area
Electromagnetic compatibility	CEI 1000-4-2 8 kV minimum CEI 1000-4-3 level III CEI 1000-4-4 level III
Standard	IETS 300-220
Basic crown for tube fl	63 x 1,5 mm
Temperature working range	Normal use : -10°C to +40°C Exceptional use (20% of the life time not simultaneous) : -20°C to + 70°C
Noise level	According to SOMFY measures (for information only).Worse value : in load up direction during 10 seconds.

Designation	Nm	rpm	Reference	mm			tube	W	A	°C	Brake type	kg	dB(A)
	Nominal torque	Nominal speed		L1 max.	L2 (-3 mm)	L3 max.		Rated power	Rated current	Thermal tripping		Weight	Noise
ALTUS 60 RTS 55/17	55	17		734	717	740	670	320	1,5	150	sliding	4,39	64
ALTUS 60 RTS 70/17	70	17		734	717	740	670	410	1,9	150	sliding	4,82	66
ALTUS 60 RTS 85/17	85	17		734	717	740	670	450	2,1	150*	sliding	5,03	66

* Non resetable thermal protector



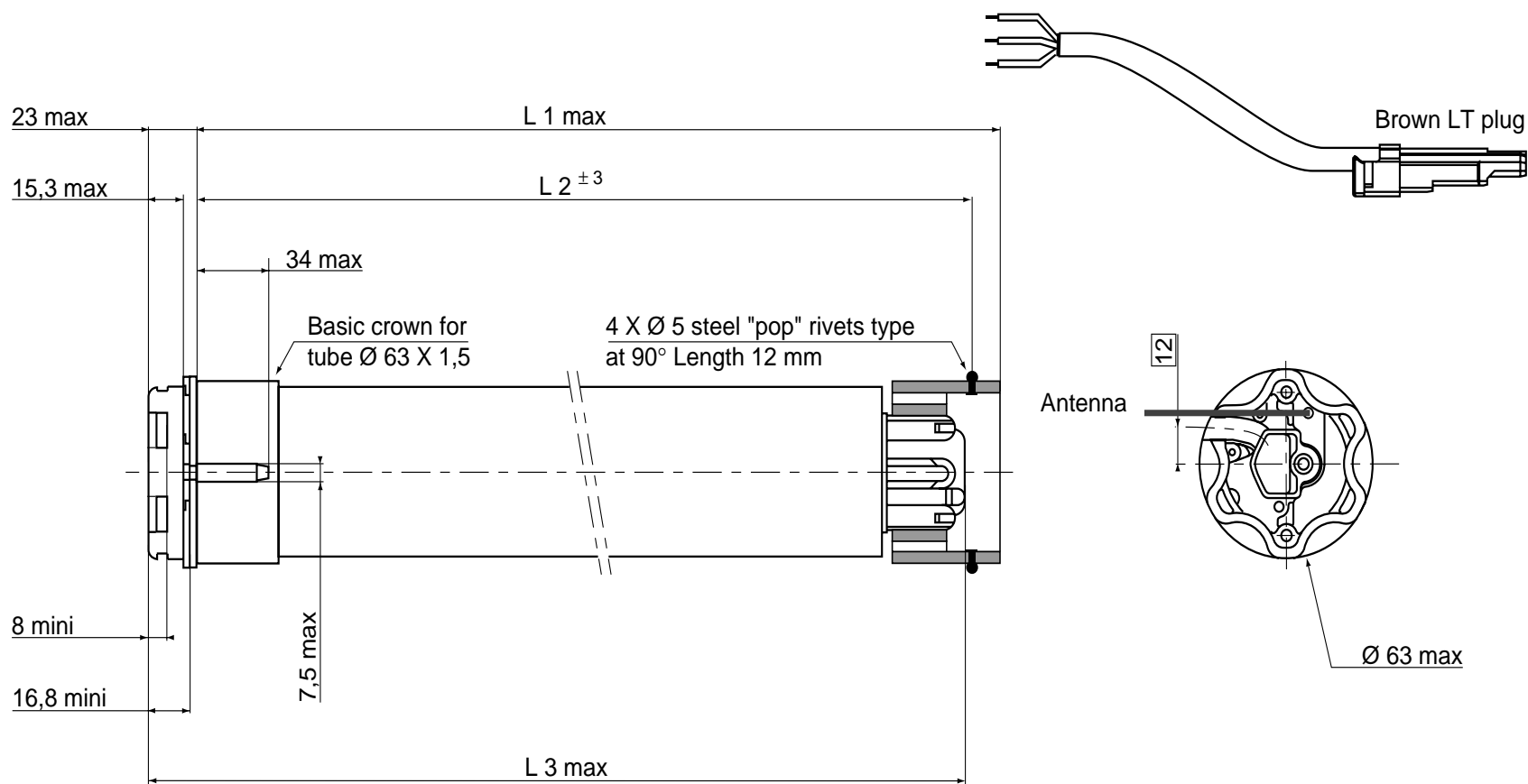
21/08/00

ALTUS 60 RTS TECHNICAL DATA

RANGE 1

WIRING	Neutral	Blue
	Live	Brown
	Earth	Green / Yellow

Reversal of the direction: push the stop button of the transmitter during 5" during the factory mode
 Code storage: push the UP and DOWN button of the control in order to record it in the motor memory during the factory mode
 Reset of the memory: double cut-off with making alive from 5" to 10".
 2- push briefly the programming button of a transmitter.



Visa :	DT	Quality	GMD
--------	----	---------	-----